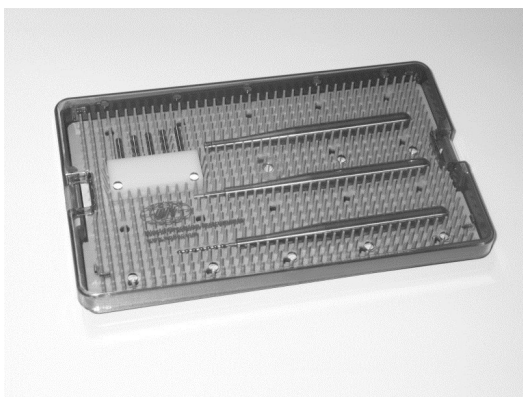
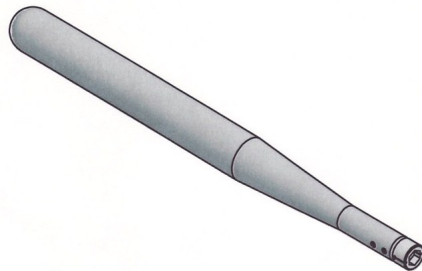
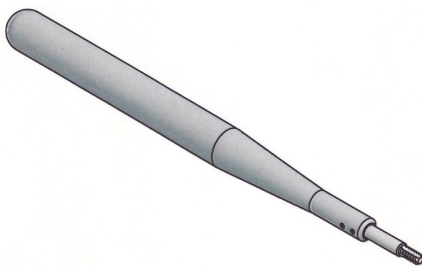
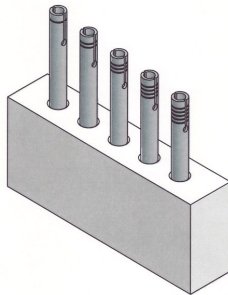
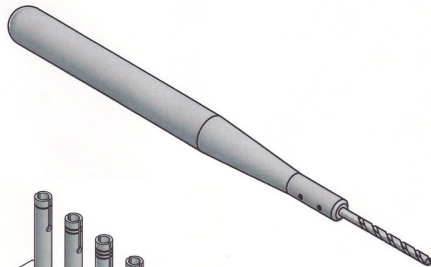




Thomas RECORDING GmbH

„We have the solution!“

Ceramic Screw Tools



Product Features

- Tools for Thomas ceramic screws
- Material: stainless steel
- Tools for SI and SI screws
- Single Tools or tool sets available

 Made in
Germany

Certified
ISO 9001

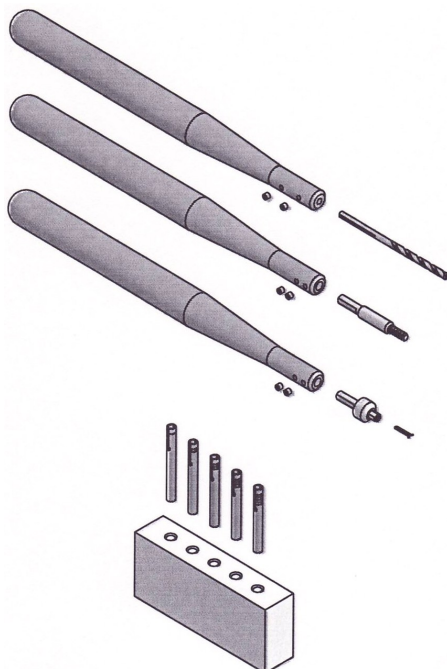
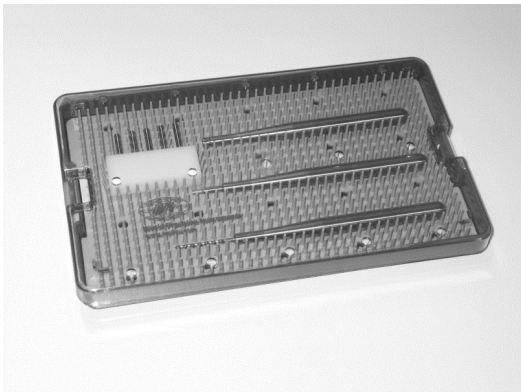
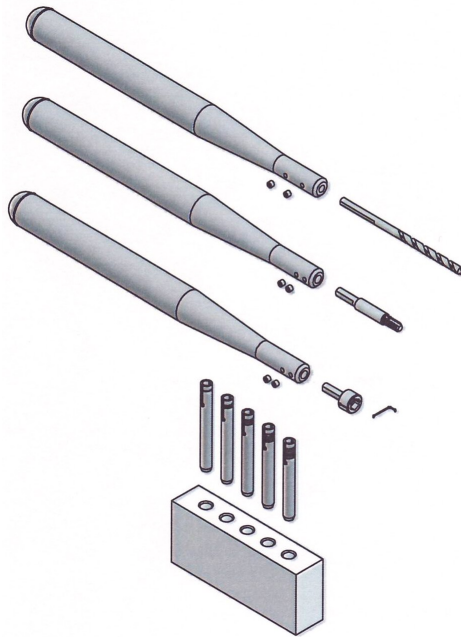
 TÜVRheinland®
Precisely Right.

www.ThomasRECORDING.com



Thomas RECORDING GmbH

„We have the solution!“



SA-Tools

Twist Drill-SA

Article number: AN000061

Tap-SA

Article number: AN000062

Screw Driver-SA

Article number: AN000063

Distance Tube Set-SA

Article number: AN000064

Tool Sets

SA-Tool Set Article number: AN000121

SI-Tool Set Article number: AN000122

(tools sets are delivered with sterilization tray)

SI-Tools

Twist Drill-SI

Article number: AN000065

Tap-SI

Article number: AN000066

Screw Driver-SI

Article number: AN000067

Distance Tube Set-SI

Article number: AN000068

We are looking forward to receiving your request:

info@ThomasRECORDING.com